

COMMERCIAL LAUNDRY EQUIPMENT



IVAGO

Washers
Dryers
Stacked Washer/Dryer



FRONT LOAD WASHER WITH WHITE CABINET
& STAINLESS STEEL TOP PANEL



FRONT LOAD WASHER WITH
STAINLESS STEEL CABINET



WASHERS

Low water consumption

The washers keep water consumption to a minimum and save therefore more than 40% compared to some commercial washers.

Large door

The large door opening results in a fast loading and unloading of the linen. The see-through glass window keeps users apprised of the cycle progress. The heavy-duty door hinge makes sure the door can face an industrial use of the washer.

High spin speed

The washers achieve spin speeds of 1.000 rpm, increasing overall laundry efficiency by removing more moisture from loads. Less moisture translates into reduced drying times and reduced use of gas/electricity.

Clean results

The horizontal design gives increased contact between clothes, water and detergents for superior cleaning results. Furthermore, it shortens the cycle times.

Heavy-duty design: improved durability

Rugged steel drive components (pulley, trunnion, tub, shaft and bearings) and stainless steel inner and outer tubs result in an improved durability. The heavy-duty design means years of reliable service for you.

Customer convenience

A front mount supply dispenser creates customer convenience by automatically adding detergent, bleach and softener. The unit is ADA compliant, creating convenience for customers with disabilities.

Easy installation

The pump drain allows the washer to be installed adjacent to or replace topload washers with no special plumbing. A gravity drain option is also available.

DRYER WITH WHITE CABINET
& STAINLESS STEEL TOP PANEL



DRYER WITH WHITE CABINET



HOMESTYLE DRYER WITH REAR CONTROL



DRYERS

Large capacity

The dryer's capacity of 8kg is big enough to handle large loads. The cylinder capacity also promotes fast drying due to increased tumble action.

Large door

The large door opening results in a fast loading and unloading of the linen. The door is reversible, offering flexibility in your laundry room layout.

Easy to clean

Because the lint filter is located up-front, it's highly visible and easy to keep clean.

Easy to maintain

The two-piece front panel reduces down-time for service. The unit's motor, blower, heating element, gas valve and thermostats can be serviced through the lower panel without disconnecting the door switch.

Fast

A quiet, efficient blower system, with superior airflow of 220 cu. ft. per minute, produces quick drying results, while keeping operating costs low.

STACKED WASHER/DRYER WITH
STAINLESS STEEL CABINET



STACKED WASHER/DRYER WITH
WHITE CABINET



STACK WASHER/DRYER

Simple installation

Washer/dryer stack units have the same hook-ups and connections as standard washers and dryers. The stacks also come preassembled to simplify installation.

Space saving

Stack units share the same high quality options of standard washers and dryers but occupy a smaller footprint.

Easy to maintain

Just like their stand-alone counterparts, the stacked units are 100% front serviceable to limit downtime for service.

CONTROLS

Multi-cycle timer knob

User-friendly timer knob for start and cycle selections with energy saver designation.

MDC (Micro Display Control)

- Digital display indicating the remaining time and vend price
- 4 temperature/fabric selections on the washer and dryer
- Cycle status view
- Programmes can be modified on the machine

Quantum

- 6 wash programmes (normal 90°/60°/40°, perm press 60°, delicates 30° and cold)
- Possibility of programming cycle modifier options (eg added prewash, extra wash time, extra rinse, etc) on the machine or on a PC
- Expanded cycle programming allowing cycle customization to meet various market needs
- LED-indication of the status of the programme
- Time remaining countdown
- Programmable End of cycle signal
- Door lock light

ACTIVATIONS

Besides the standard execution (OPL), the commercial laundry products can be activated in 6 different ways.



1 Card Activated

Cashless laundries increase overall convenience for customers and owners. Card payment systems end the need for customers to carry pockets of change to the laundry. The system's smart cards increase customer safety and create a higher level of customer loyalty.



2 World Coin Drop

This activation offers greater versatility than a standard coin drop. Utilizing electronic signature technology, the World Coin Drop measures each inserted coin's characteristics and matches them against pre-programmed standards. Coins are either accepted or rejected in less than a second. A learning function enables coin laundry owners to set machines to accept other coins or tokens.



3 Single or Dual Coin Drop

An all-metal design reduces coin jamming and is easy to use. A dual coin drop option is available for various coin denominations. Coin drops can accommodate vend price changes owners implement by reprogramming controls.



4 Coin Slide

Coin slides offer an inexpensive, reliable activation option. Coin slides were the industry standard for years because of their simple, dependable operation.



5 Push-to-start

Speed Queen's manual timers on both the washers and dryers are easy to activate with manual push-to-start operation.

6 Central Payment

In this system, all machines in a coin laundry are linked to a main control unit. Customers select their machine and purchase their cycles at a central terminal. This eliminates the need for each washer and dryer to have an individual coin drop or card reader. It also offers a level of security for owners, as all currency is collected in a central vault.

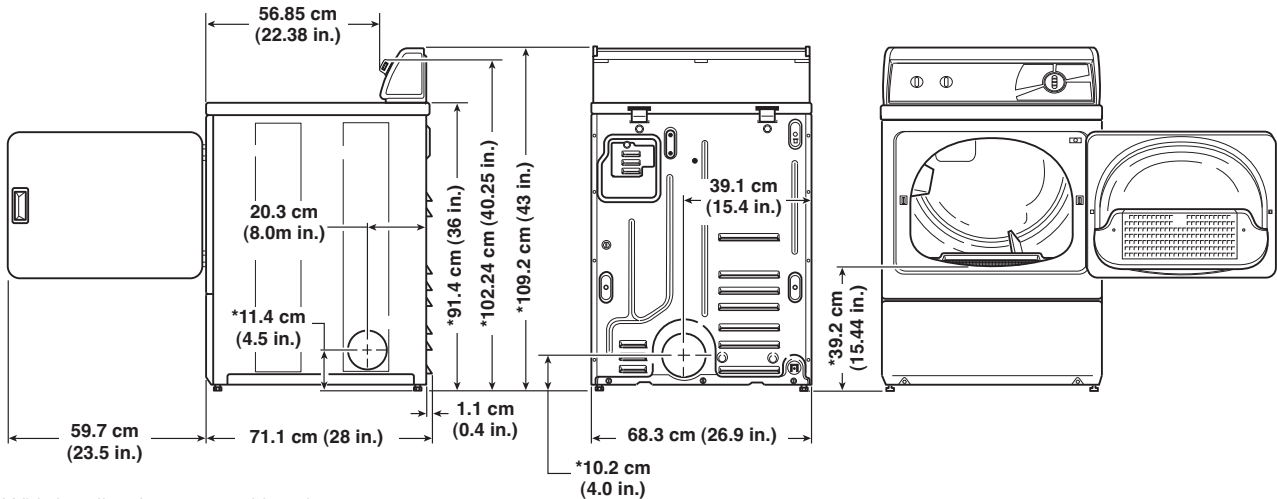
DIMENSIONS & SPECIFICATIONS

DRYERS

Homestyle Dryers

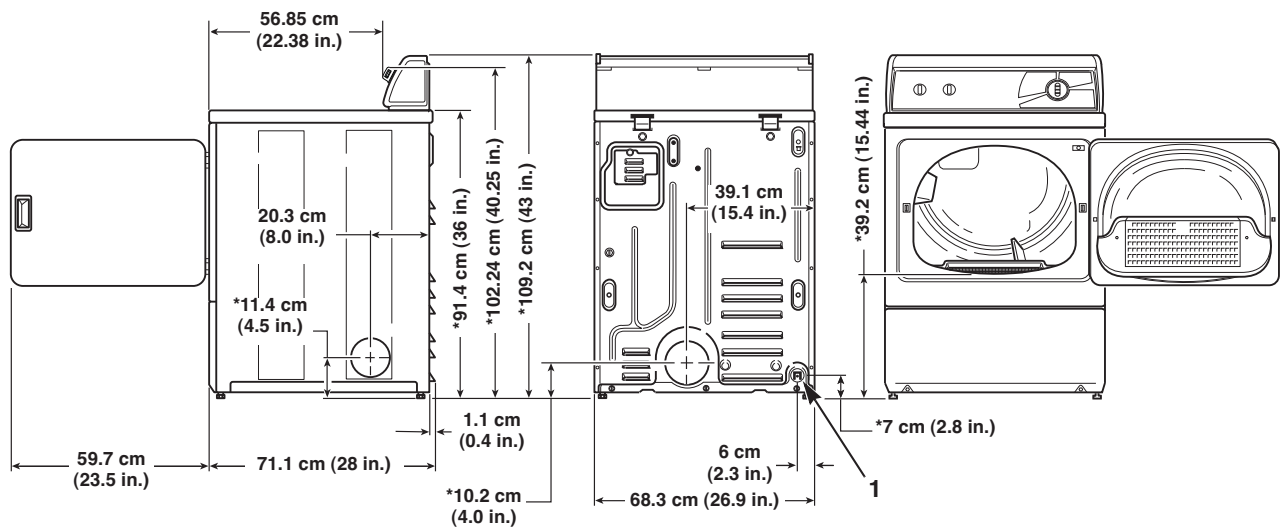
Model	LEN / LGN		
Control options	Multi-cycle timer knob	Voltage options	LEN: 230/50/1
Position control	rear		230/50/3
Activation options			400/50/3
<i>Card</i>	no	Heating options	LGN: 230/50/1
<i>world coin drop</i>	no		LEN: Electric
<i>single/dual coin drop</i>	no		LGN: Gas
<i>coin slide</i>	no	Door type	Solid
<i>push-to-start</i>	yes	Reversible door	Yes
<i>central payment</i>	no	Air outlet diameter (mm)	102
Capacity (kg)	8	Airflow rate (m ³ /h)	374
Cylinder volume (L)	198	Dimensions (mm)	H 1092
Power motor (W)	246		W 683
Cabinet	White		D 711
		Weight (kg)	Net Gas: 61 / Electric: 59
			Shipping Gas: 66 / Electric: 64

Electric dryers



* With leveling legs turned into base.

Gas dryers



*With leveling legs turned into base.

1 3/8 in. NPT Gas Connection

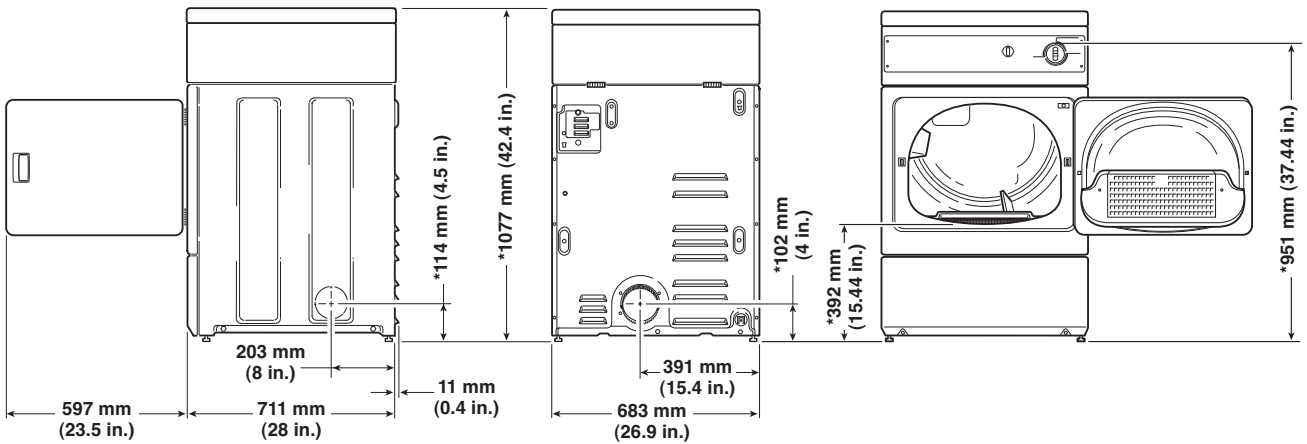
DRYERS

Homestyle Dryers

Model	FEN / FGN
Control options	Multi-cycle timer knob
Position control	front
Activation options	
<i>Card</i>	no
<i>world coin drop</i>	no
<i>single/dual coin drop</i>	no
<i>coin slide</i>	no
<i>push-to-start</i>	yes
<i>central payment</i>	no
Capacity (kg)	8
Cylinder volume (L)	198
Power motor (W)	246
Cabinet	White

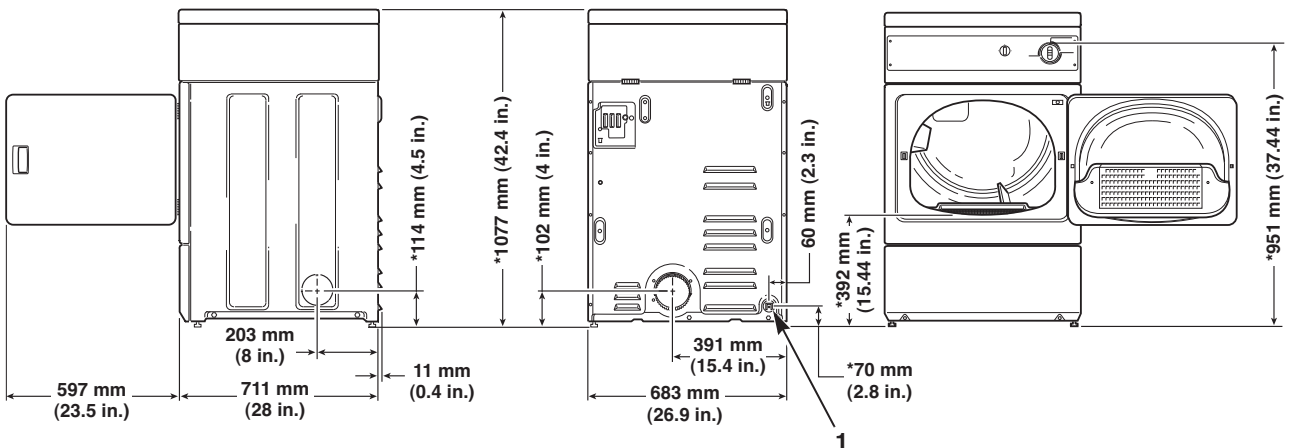
Voltage options	FEN: 230/50/1
	230/50/3
	400/50/3
	FGN: 230/50/1
Heating options	FEN: Electric
	FGN: Gas
Door type	Solid
Reversible door	Yes
Air outlet diameter (mm)	102
Airflow rate (m ³ /h)	374
Dimensions (mm)	H 1051
	W 683
	D 711
Weight (kg)	Net Gas: 68 / Electric: 66
	Shipping Gas: 73 / Electric: 70

Electric dryers



* With leveling legs turned into base.

Gas dryers



*With leveling legs turned into base.

1 3/8 in. NPT Gas Connection

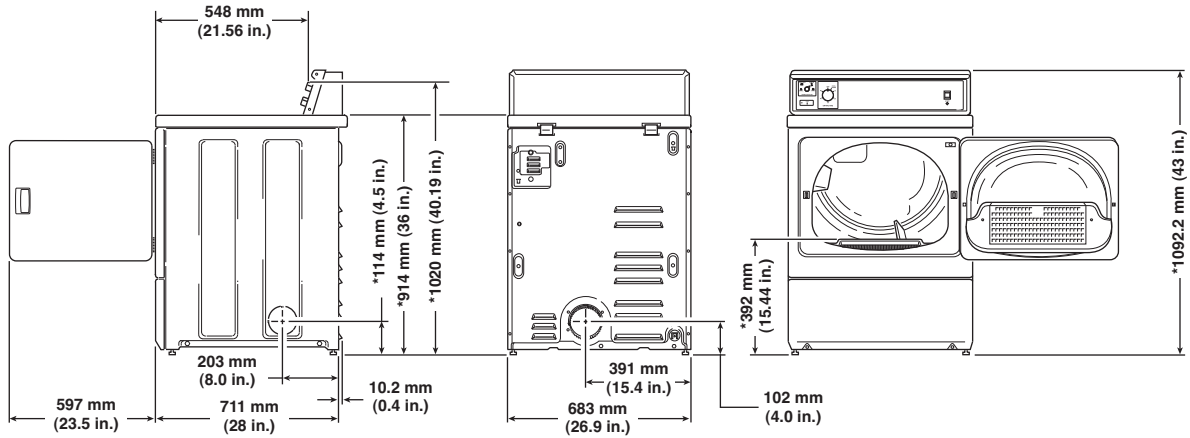
DIMENSIONS & SPECIFICATIONS

DRYERS

Commercial Dryers

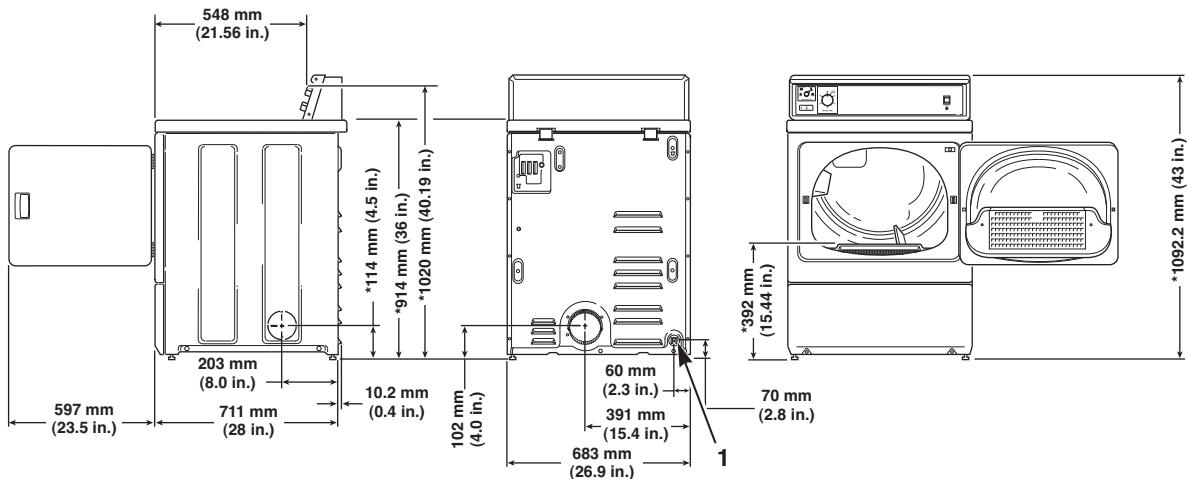
Model	NDE / NDG	
Control options	MDC	
Position control	rear	
Activation options		
<i>Card</i>	yes	
<i>world coin drop</i>	yes	
<i>single/dual coin drop</i>	yes	
<i>coin slide</i>	yes	
<i>push-to-start</i>	yes	
<i>central payment</i>	yes	
Capacity (kg)	8	
Cylinder volume (L)	198	
Power motor (W)	246	
Cabinet	White	
Voltage options		
NDE: 230/50/1		
230/50/3		
400/50/3		
NDG: 230/50/1		
Heating options		
NDE: Electric		
NDG: Gas		
Door type		
Solid		
Reversible door		
Yes		
Air outlet diameter (mm)	102	
Airflow rate (m ³ /h)	374	
Dimensions (mm)		
H	1092	
W	683	
D	711	
Weight (kg)		
Net	Gas: 64 / Electric: 61	
Shipping	Gas: 68 / Electric: 66	

Electric dryers



* With leveling legs turned into base.

Gas dryers



*With leveling legs turned into base.

1 3/8 in. NPT Gas Connection

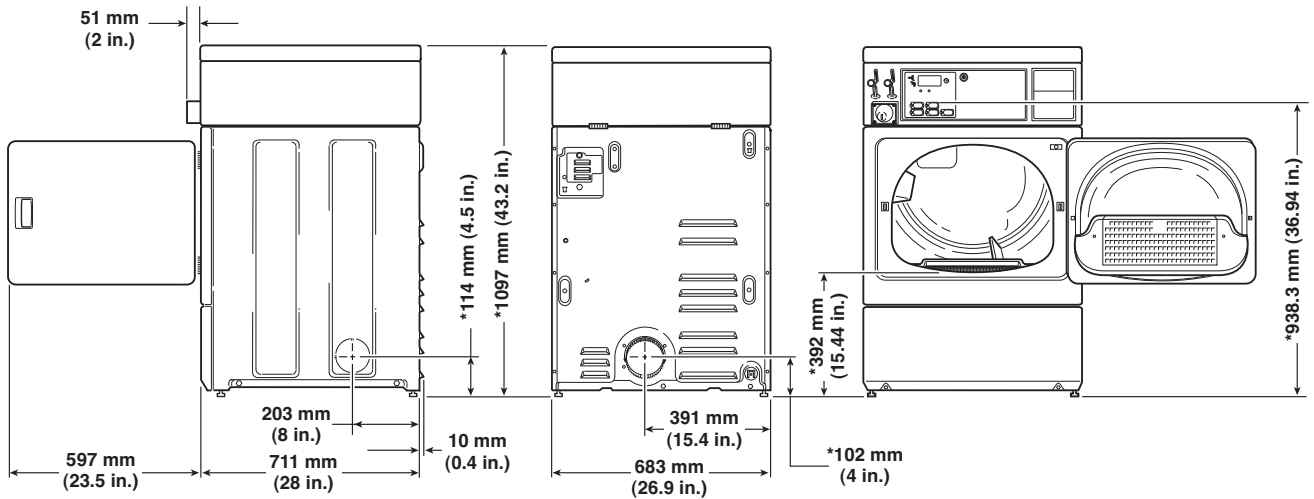
DRYERS

Homestyle Dryers

Model	NFE / NFG
Control options	MDC/Quantum
Position control	front
Activation options	
<i>Card</i>	yes
<i>world coin drop</i>	yes
<i>single/dual coin drop</i>	yes
<i>coin slide</i>	no
<i>push-to-start</i>	yes
<i>central payment</i>	yes
Capacity (kg)	8
Cylinder volume (L)	198
Power motor (W)	246
Cabinet	White / Stainless Steel

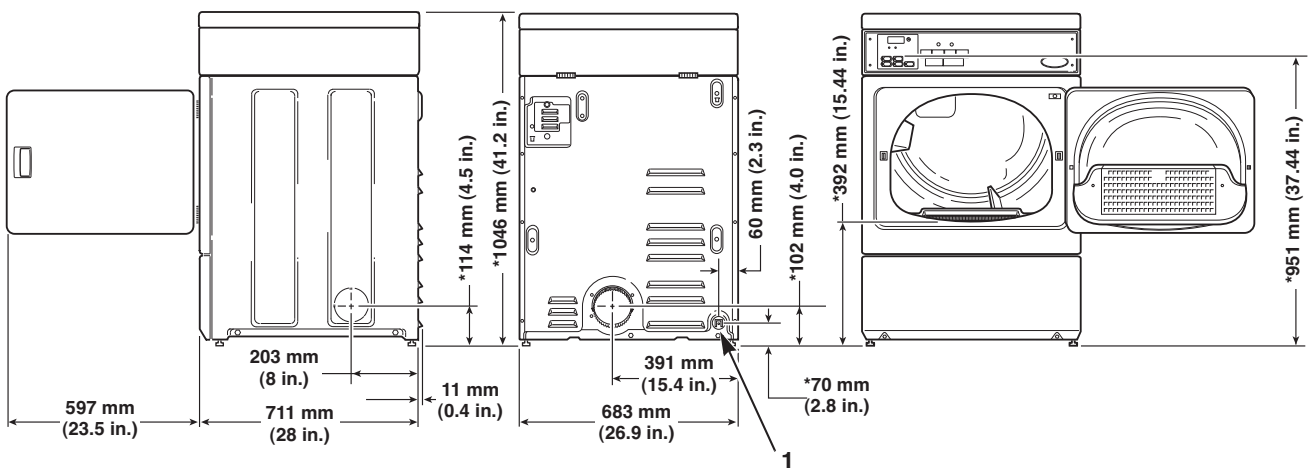
Voltage options	NFE: 230/50/1
	230/50/3
	400/50/3
Heating options	NFE: 230/50/1
	NFE: Electric
	NFG: Gas
Door type	Solid
Reversible door	Yes
Air outlet diameter (mm)	102
Airflow rate (m ³ /h)	374
Dimensions (mm)	H 1092
	W 683
	D 711
Weight (kg)	Net Gas: 70 / Electric: 68
	Shipping Gas: 75 / Electric: 73

Coin Models – Electric heated



* With leveling legs turned into base.

Central Pay Models – Gas heated



*With leveling legs turned into base.

1 3/8 in. NPT Gas Connection

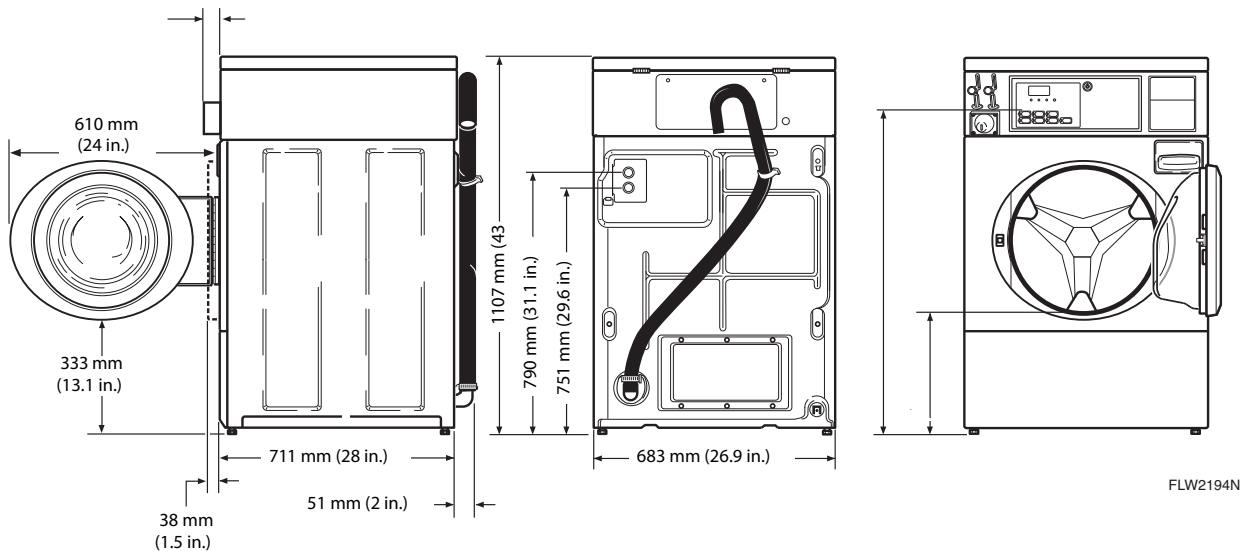
DIMENSIONS & SPECIFICATIONS

WASHERS

Washers

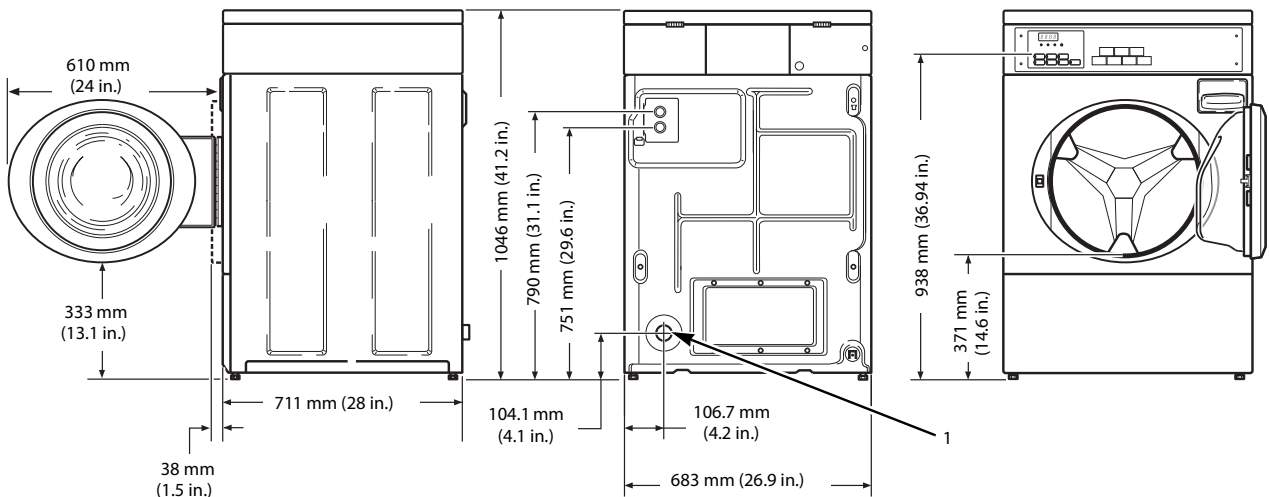
Model		NF3L			
Control options		Quantum		Voltage options	230/50/1
Position control		front			230/50/3
Activation options					400/50/3
Card		yes		Heating options	Electric
world coin drop		yes		Door type	Window
single/dual coin drop		yes		Spin speed (rpm)	500, 650, 1000
coin slide		no		Cabinet	White / Stainless steel
push-to-start		yes		Dimensions (mm)	H 1092
central payment		yes			W 683
Capacity (kg)		8			D 711
Cylinder volume (L)		80		Weight (kg)	Net 113
Power motor (W)		750			Shipping 123

Coin/card models equipped with drain hose



FLW2194N

Central pay models with gravity drain

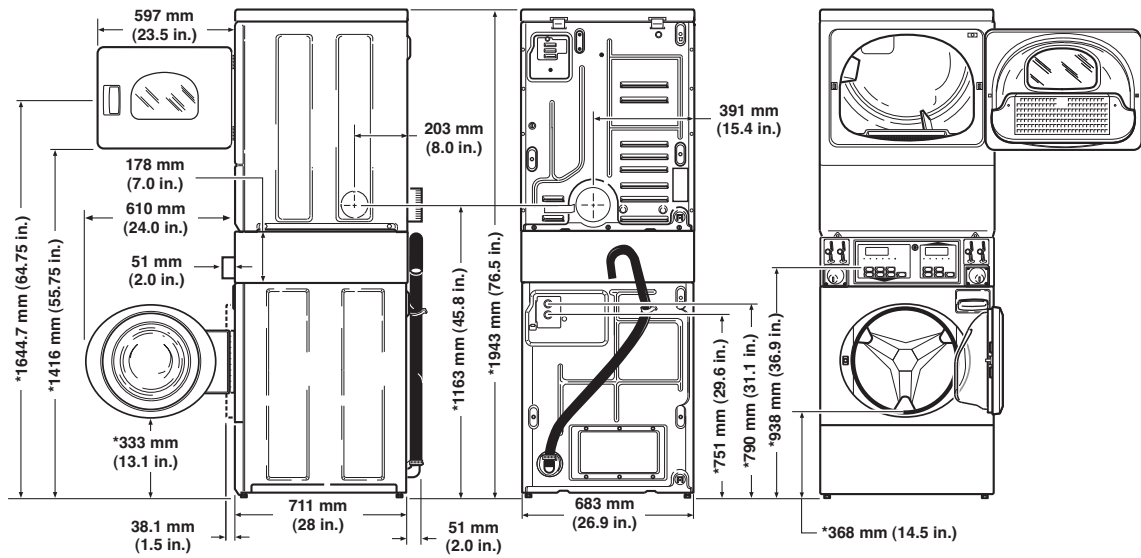


- 1 38.1 mm (1.5 in.) Inside Diameter
47.2 mm (1.86 in.) Outside Diameter

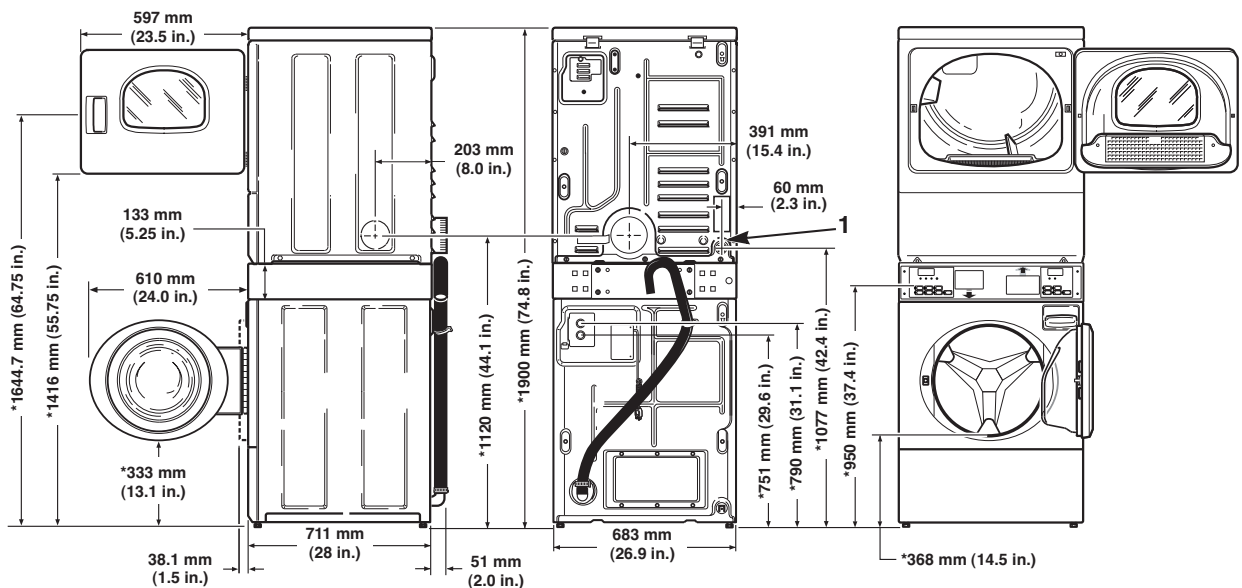
STACKED UNITS Stack Washer / Dryer

Model		NT	
Control options		MDC/Quantum	
Activation options			
<i>Card</i>		yes	
<i>world coin drop</i>		yes	
<i>single/dual coin drop</i>		yes	
<i>coin slide</i>		no	
<i>push-to-start</i>		yes	
<i>central payment</i>		yes	
Cylinder volume (L)	Washer: 80 / Dryer: 198		
Power motor (W)	Washer: 750 / Dryer: 246		
Voltage options	230/50/1		
	400/50/3		
		Heating options	Electric / Gas
		Door type	See-through
		Reversible door	no
		Air outlet diameter (mm)	102
		Airflow rate (m ³ /h)	374
		Cabinet	White / Stainless steel
		Dimensions (mm)	H 1946
			W 683
			D 711
		Weight (kg)	Net Gas: 166 / Electric: 163
			Shipping Gas: 179 / Electric: 177

Electric models



Central Pay Models – gas heated



*With leveling legs turned into base.

1 3/8 in. NPT Gas Connection

Alliance International bvba
Nieuwstraat 146
B-8560 Wevelgem
Belgium

T +32 56 41 20 54

F +32 56 41 86 74

M info@allianceis.eu